


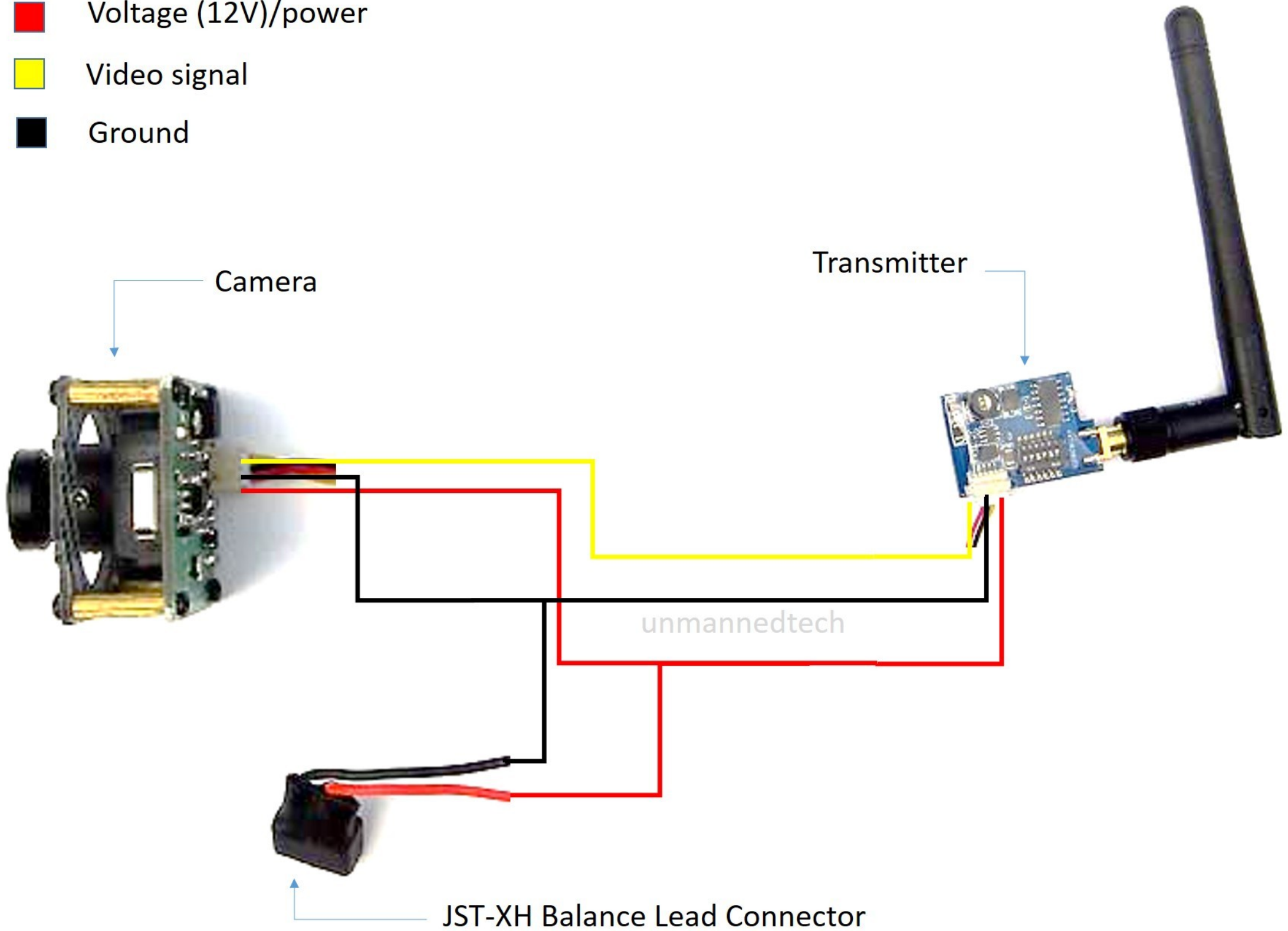


-  Voltage (12V)/power
-  Video signal
-  Ground



Camera

Transmitter

unmannedtech

JST-XH Balance Lead Connector